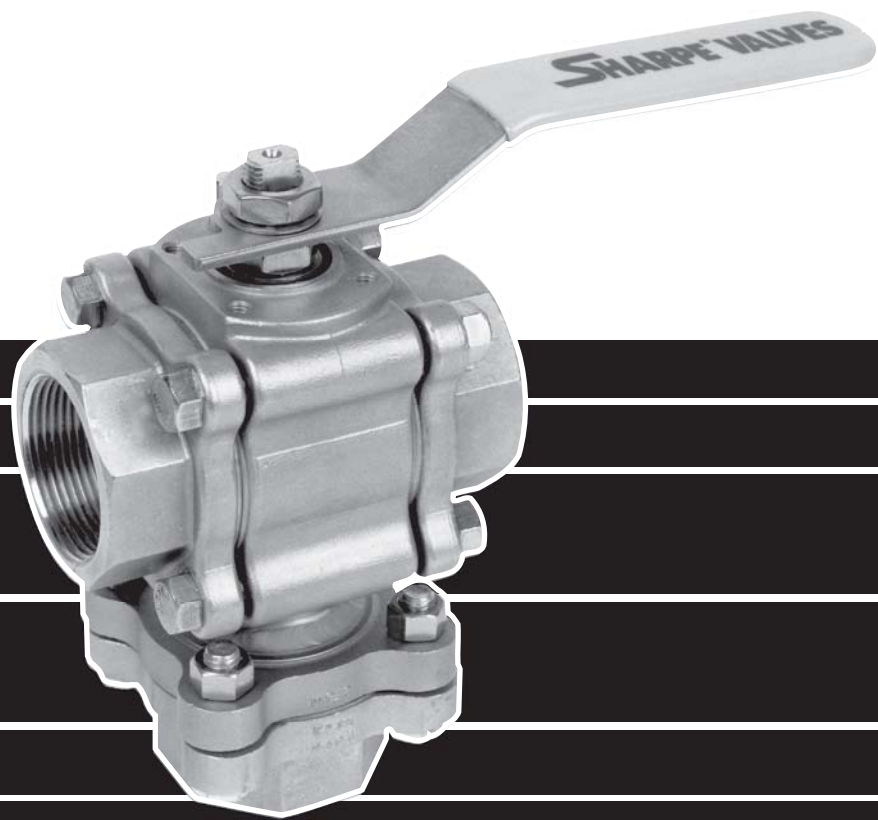


# **SHARPE<sup>®</sup> VALVES**

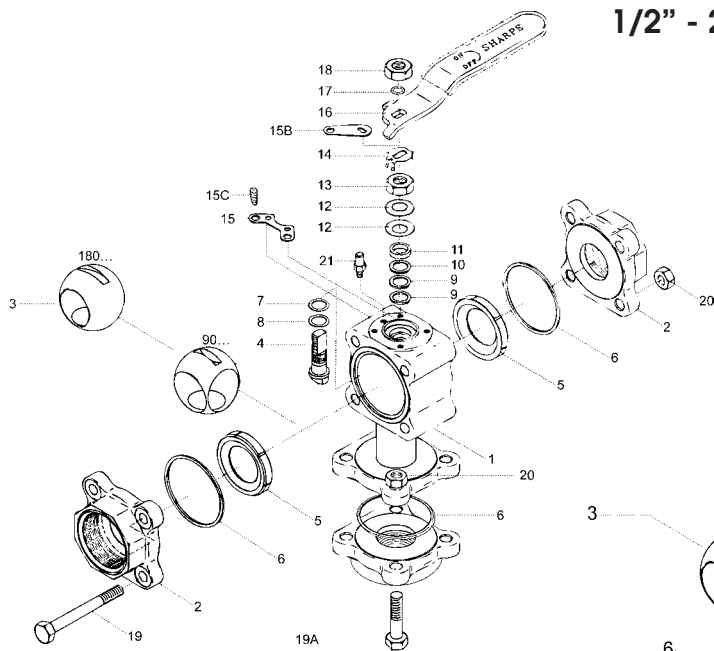
---



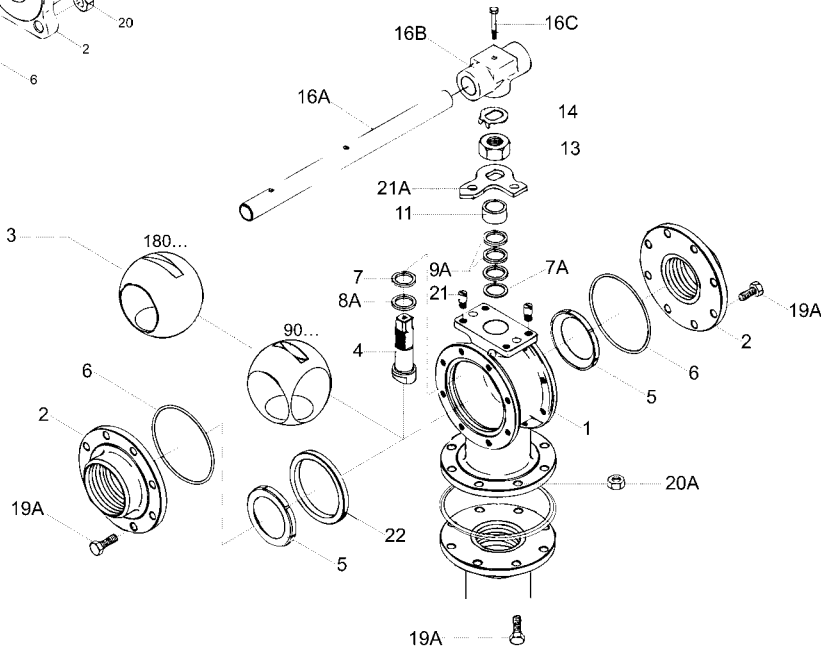
**SERIES D84  
DIVERTER BALL VALVES**

# SERIES D84 VALVE PARTS AND IDENTIFICATION

1/2" - 2-1/2"



3" - 4"



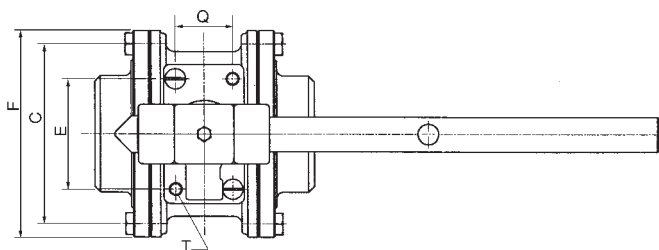
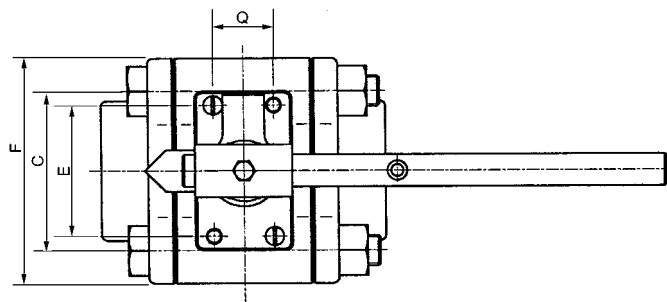
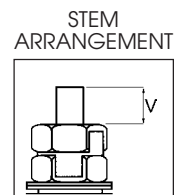
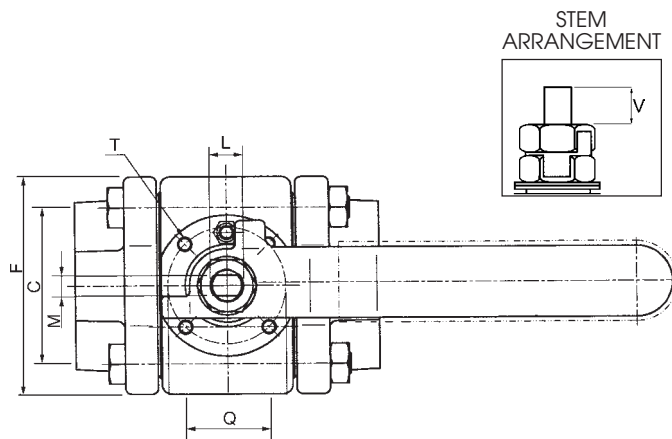
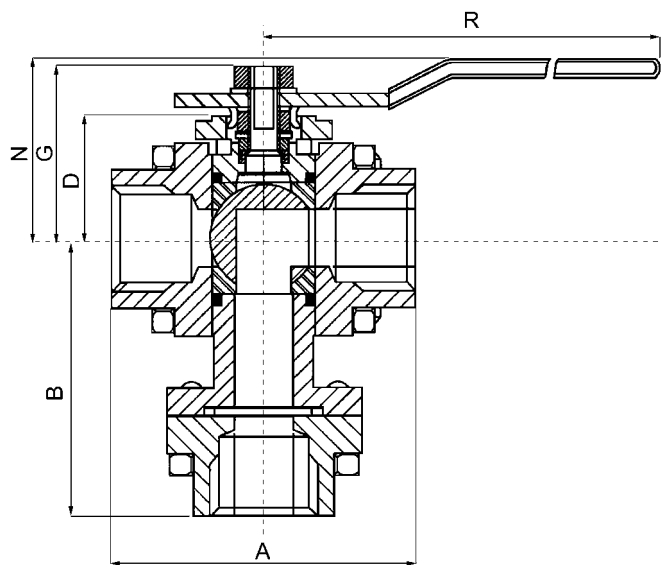
PART NO.	PART	QTY.	MATERIAL
1	Body	1	316 Stainless Steel ASTM A351 CF8M Alloy 20 ASTM A351 CN7M Carbon Steel ASTM A216 WCB
2	Pipe Ends	3	316L Stainless Steel ASTM A351 CF3M Alloy 20 ASTM A351 CN7M Carbon Steel ASTM A216 WCB
3	Ball	1	316 Stainless Steel Alloy 20 Monel Hastelloy C
4	Stem	1	316 Stainless Steel Monel Alloy 20 Hastelloy C
5	Valve Seat	2	TFE Nova* UHMWPE Reinforced TFE Delrin Peek
6	Body Seal	3	TFE Graphoil Buna Neoprene UHMWPE EPR
7	Thrust Bearing	1	Nova* (UHMWPE with UHMWPE Seats)
7A	Stem Location Ring (3" & 4")	1	Stainless Steel
8	Thrust Bearing	1	Peek (UHMWPE with UHMWPE Seats)
8A	Thrust Bearing	1	Nova* (UHMWPE with UHMWPE Seats)
9	Stem Packing	2	Nova* (UHMWPE with UHMWPE Seats)
9A	Stem Packing (3" & 4")	3	Nova* (UHMWPE with UHMWPE Seats)
10	Seal Protector	1	Peek
11	Gland Packing	1	Stainless Steel
12	Belleville Washer	2	Stainless Steel

PART NO.	PART	QTY.	MATERIAL
13	Packing Nut	1	Stainless Steel
14	Lock Tab	1	Stainless Steel
15	Lower Lock Latch	1	Stainless Steel
15B	Upper Lock Latch Bolt	1	Stainless Steel
15C	Latch Bolt	1	Stainless Steel
16	Handle (1/4"-2")	1	Stainless Steel
16A	Wrench (3" & 4")	1	Cad Plate Carbon Steel
16B	Wrench Block	1	Stainless Steel
16C	Hex Head Bolt	1	Stainless Steel
17	Lock Washer	1	Stainless Steel
18	Handle Nut (1/4"-2")	1	Stainless Steel
19	Body Bolts	8	Stainless Steel
19A	Body Connector Nut	16	Stainless Steel
20	Nuts	8	Stainless Steel
20A	Nuts	16	Stainless Steel
21	Stop Pin (1/4"-1/2")	1 2	Stainless Steel Stainless Steel
21A	Stopper	1	Stainless Steel
22	Seat Retainer	1 1	Stainless Steel Carbon Steel

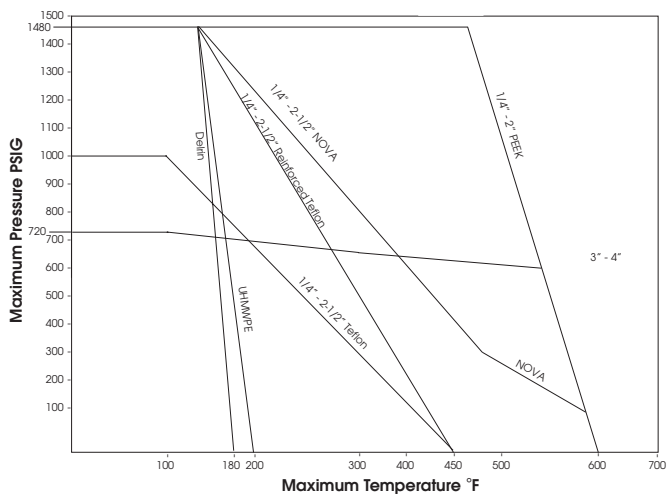
\* Nova: Carbon and Graphite Filled Teflon

# SERIES D84

## VALVE PARTS AND IDENTIFICATION



### PRESSURE TEMPERATURE DATA

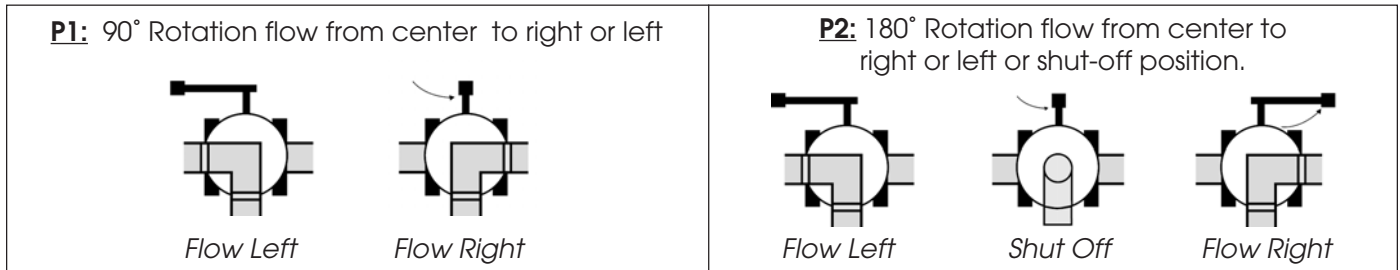


SIZE	A	B	C	D	E	F	G	L	M	N	Q	R	T	V	BOTTOM PORT	CV* US GAL. GPM
1/2"	2.78	2.75	1.50	1.24	1.00	2.05	1.59	3/8" UNF	0.22	1.87	1.00	4.50	M5	0.28	0.47	5
3/4"	2.78	2.75	1.50	1.24	1.00	2.05	1.59	3/8" UNF	0.22	1.87	1.00	4.50	M5	0.28	0.47	5
1"	3.68	3.45	1.75	1.51	1.18	2.42	2.19	7/16" UNF	0.30	2.40	1.18	5.75	M5	0.30	0.63	10
1-1/2"	4.55	4.15	2.25	1.71	1.38	3.16	2.88	9/16" UNF	0.35	3.16	1.38	7.00	M6	0.42	1.05	24
2"	5.00	4.50	2.62	1.87	1.38	3.56	3.06	9/16" UNF	0.35	3.35	1.38	7.00	M6	0.42	1.40	36
2-1/2"	5.86	6.00	3.35	2.92	2.92	4.57	4.56	M20	0.55	5.58	1.25	10.00	M8	0.55	1.84	60
3"	6.66	7.25	5.50	3.87	3.38	6.44	7.25	1.14 UNS	0.745	7.25	1.75	13.80	M10	0.66	2.00	130
4"	8.40	8.60	6.97	4.48	3.38	8.12	7.84	1.14 UNS	0.745	7.84	1.75	22.00	M10	0.66	2.50	240

# SHARPE® VALVES

## FLOW PATTERN

The Diverter Valve is designed to accept media through the bottom and direct the flow to either of the two outlet ports. Series D84 is available with two different porting configurations.



## HOW TO ORDER

VALVE SIZE	VALVE SERIES	BODY & ENDS	BALL & STEM	SEAT	SEAL	ENDS		BALL CONFIGURATIONS
						SIDE	BOTTOM	
1/2" 3/4" 1" 1-1/2" 2" 2-1/2" 3" 4"	D84	4 = Carbon Steel 6 = Stainless Steel 2 = Alloy 20	6 = 316 S. Steel 2 = Alloy 20 4 = Monel 5 = Hastelloy	T = Teflon® R = Reinforced Teflon® N = Nova D = Delrin U = UHMWPE P = Peek	B = Buna N = Neoprene V = Viton T = Teflon® U = UHMWPE G = Graphoil E = Ethylene Propylene Rubber (EPR)	TE TEB BW SW	TE TEB BW SW	P1 P2

**3/4" D84 6 6 T T TE/TE P2**

Teflon® and Viton® are registered trademarks of E.I. DuPont.  
Tri Clamp® is a registered trademark of Tri Clover

TE = Threaded Ends (NPT)  
TEB = Threaded Ends (BSPT)  
BW = Butt Weld  
SW = Socket Weld



Distributed by

**Chicago, IL**  
(800) 323-9832  
FAX (708) 562-2394

**Memphis, TN**  
(800) 446-9158  
FAX (901) 385-7018

**Boston, MA**  
(800) 553-8114  
FAX (508) 230-8181

**Columbia, SC**  
(800) 638-4034  
FAX (803) 739-0080

**Houston, TX**  
(800) 314-1030  
FAX (713) 910-7128

**Los Angeles, CA**  
(800) 418-0600  
FAX (562) 483-1182