

# SER.61 Slurry Knife Gate Valve

VALVEPROS.COM | (216) 631-6200

## TECHNICAL DATA

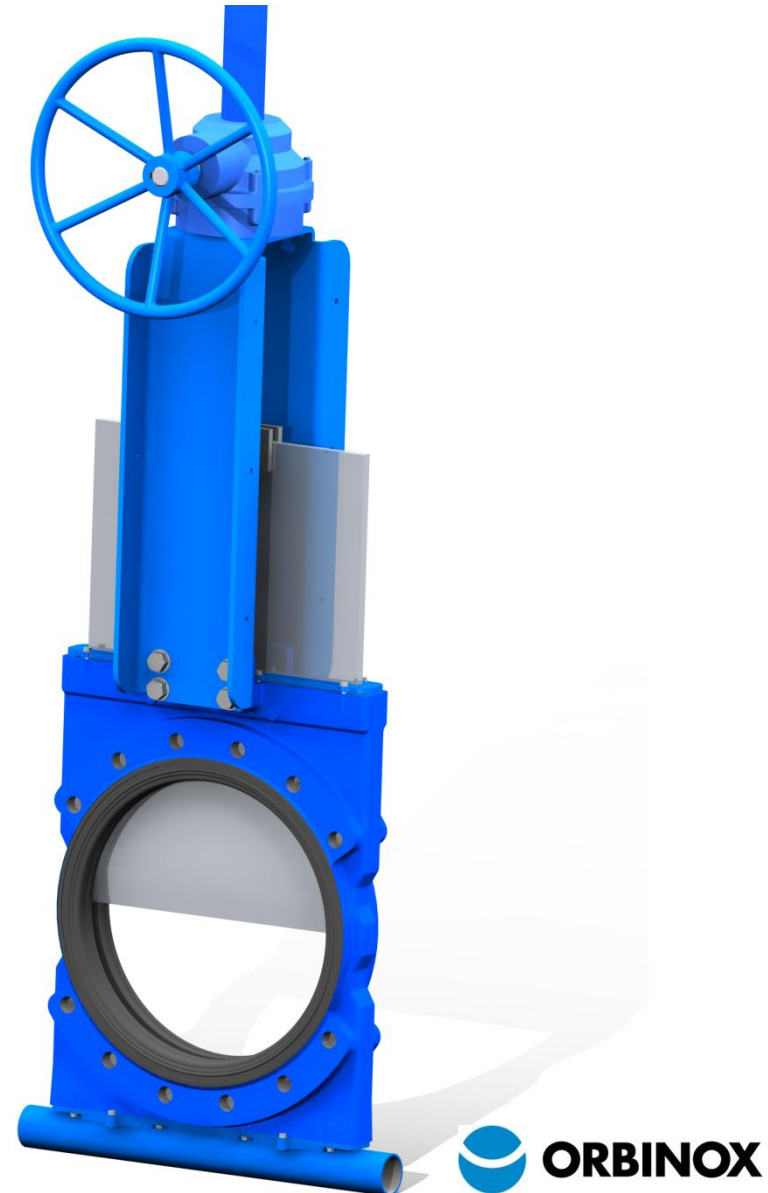
<b>Body design</b>	Monoblock, wafer, bidirectional
<b>Sizes</b>	ND 2" - 48"
<b>Pressure rate</b>	ND 2"-24" 10 bar (150psi) ND 28"-30" 6 bar (90 psi) ND 36"-48" 3.5 bar (50 psi)
<b>Body</b>	Ductile iron (EN GJS400, ASTM A 395)
<b>Gate</b>	AISI 304 2"-16" / DUPLEX 2205 18"- 24"
<b>Seat</b>	Replaceable Rubber Sleeves in natural rubber or EPDM
<b>Actuators</b>	All available (not in all sizes)
<b>Flanges</b>	PN10, PN16, ANSI150

Note: Also Available

18" - 24" 90 PSI pressure rating with 304SS or 316SS gate.

### Main applications

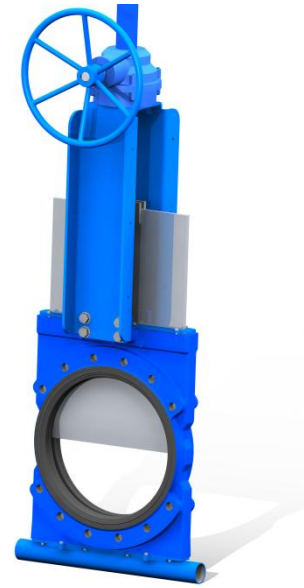
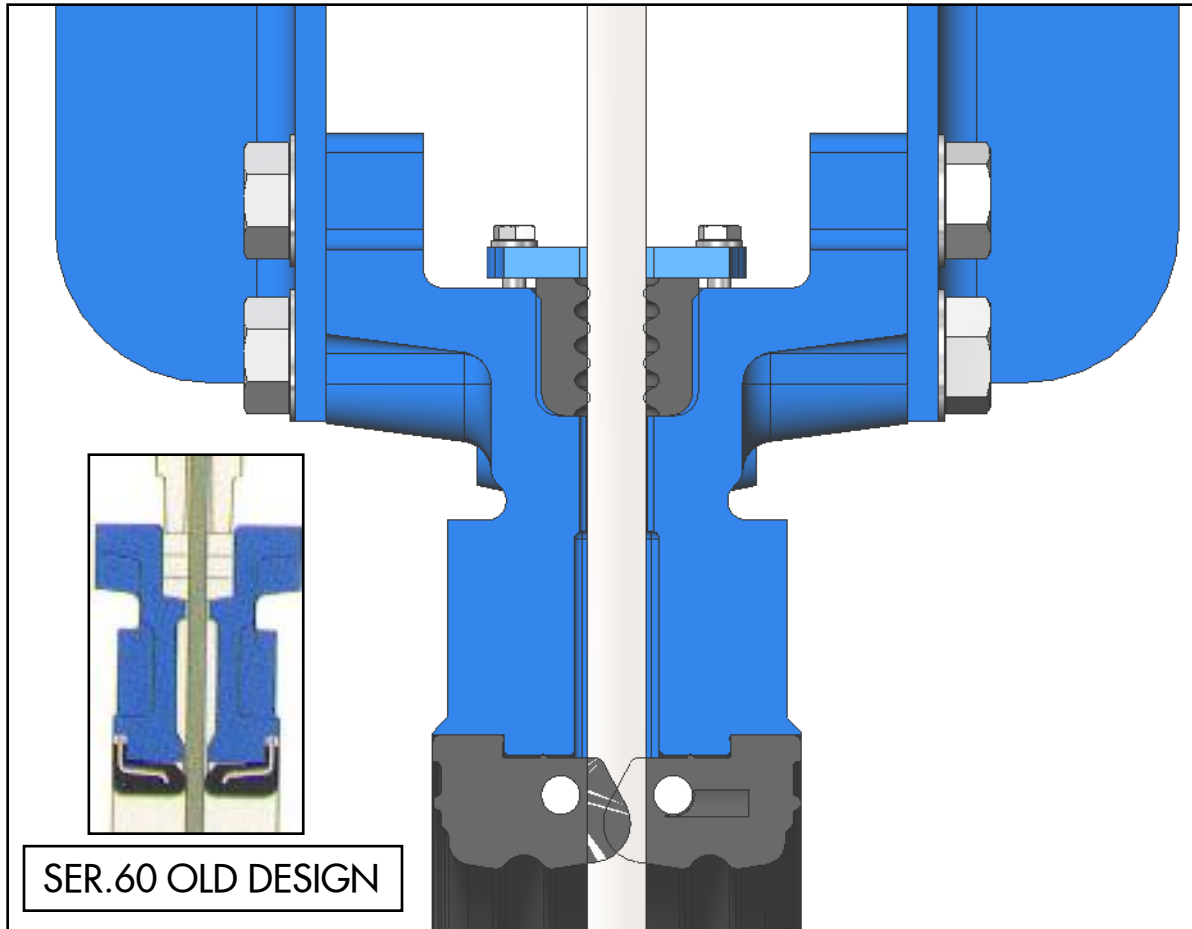
- Mining
- Power
- Waste Water
- Chemical



# SER.61 Slurry Knife Gate Valve

VALVEPROS.COM | (216) 631-6200

## NEW FEATURES



### Design

- New patented sleeves
- New rubber packing

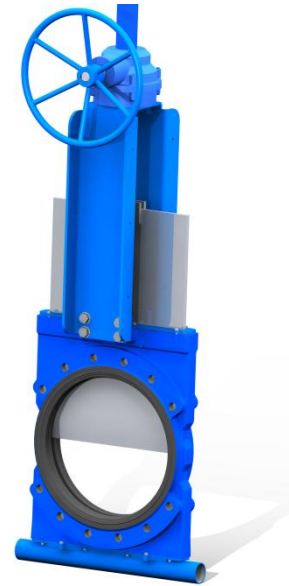
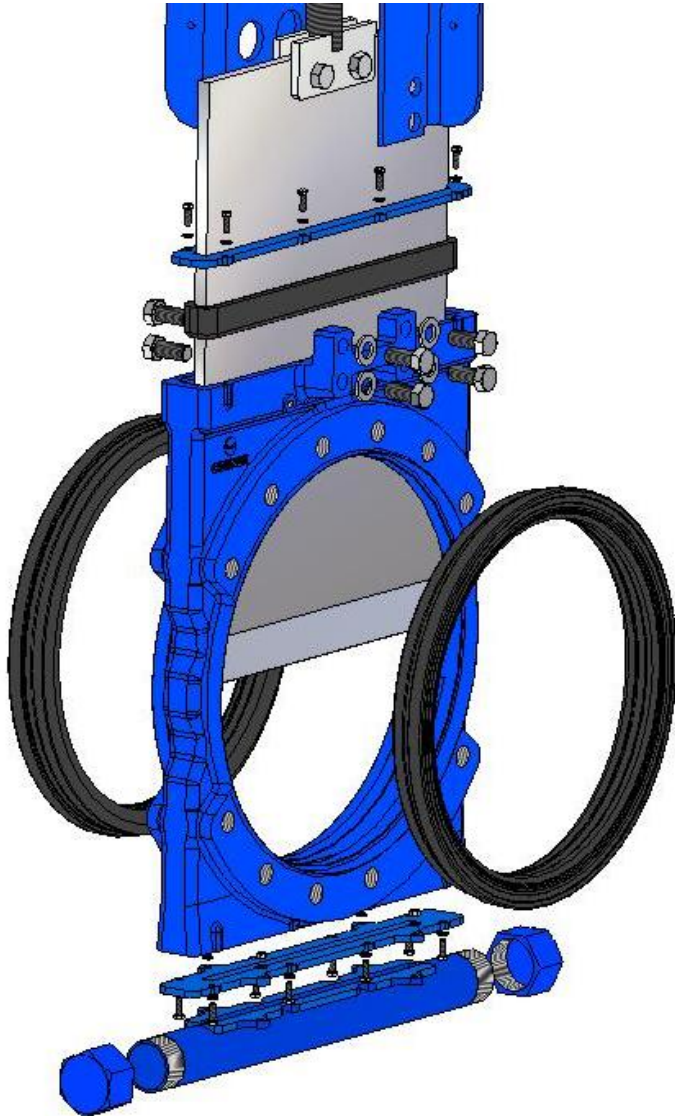
### Features

- Higher fluid working pressure
- Lower torque demand
- Maintenance free packing
- Bidirectional bubble tight
- Full bore; no cavities for material build ups.

# SER.61 Slurry Knife Gate Valve

VALVEPROS.COM | (216) 631-6200

## NEW FEATURES



### Design

- New patented sleeves
- New rubber packing

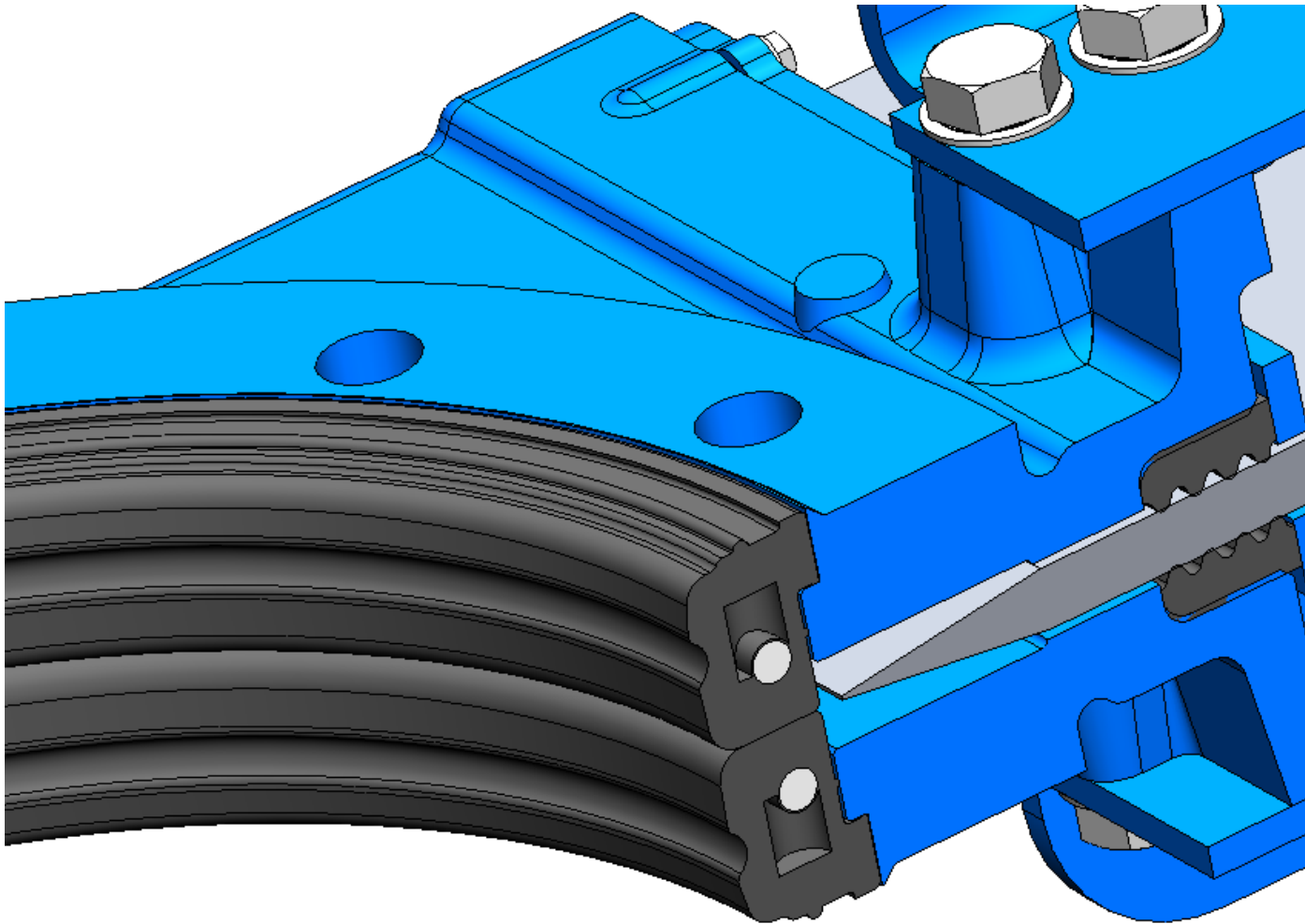
### Features

- Higher fluid working pressure
- Lower torque demand
- Maintenance free packing
- Bidirectional bubble tight
- Full bore; no cavities for material build ups.

# SER.61 Slurry Knife Gate Valve

VALVEPROS.COM | (216) 631-6200

OPEN

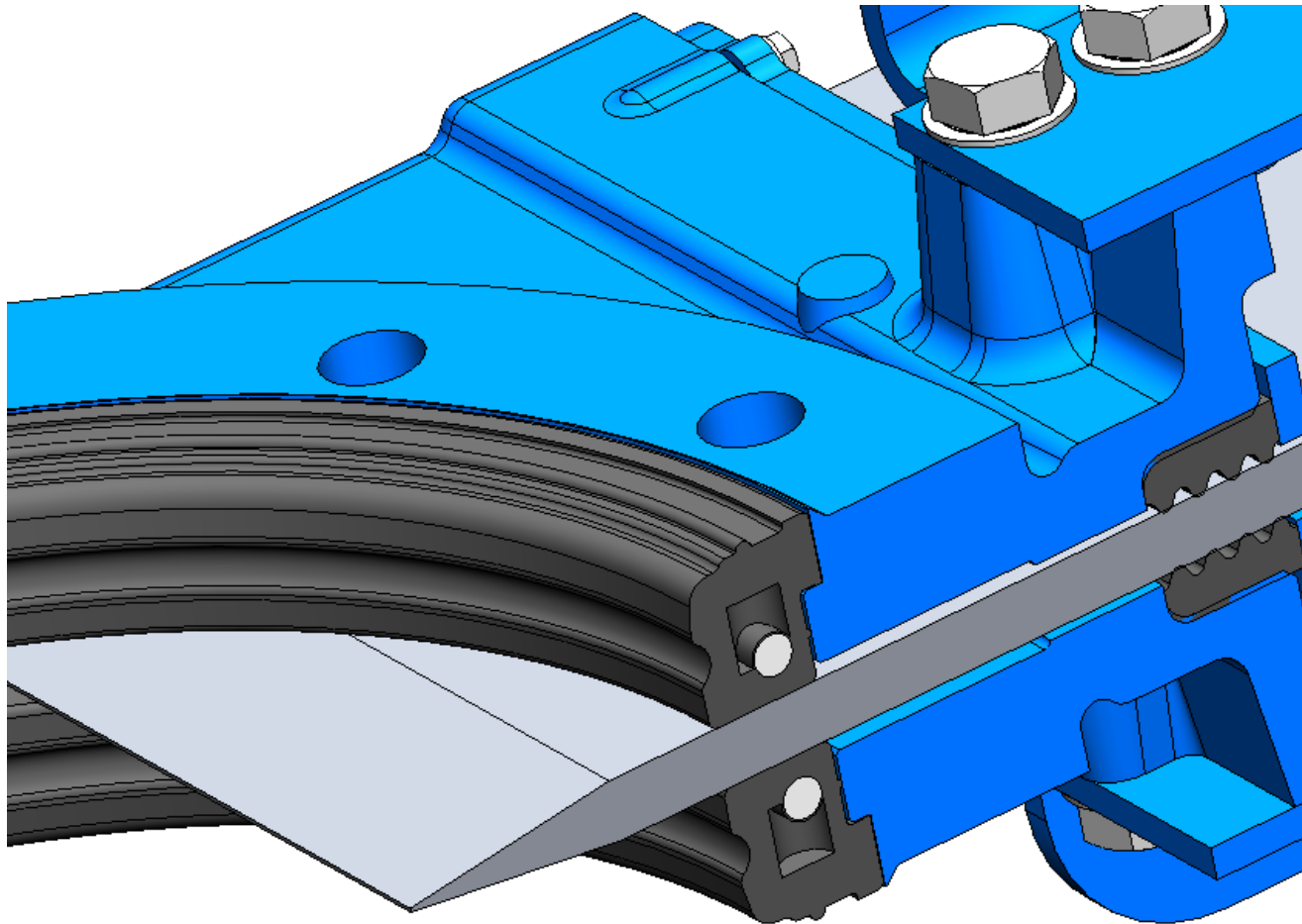


Flexible sleeve → Low torque requirements

# SER.61 Slurry Knife Gate Valve

VALVEPROS.COM | (216) 631-6200

CLOSED



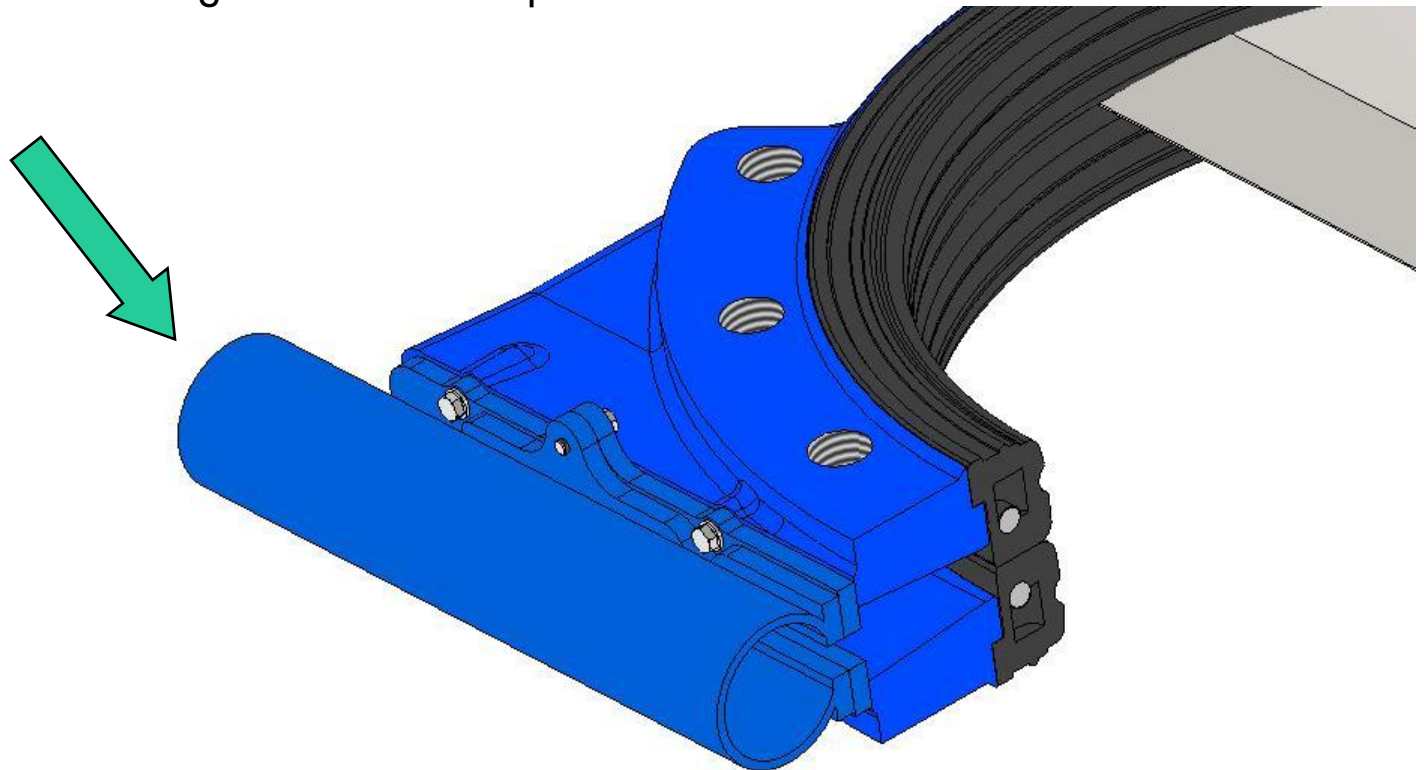
Flexible sleeve → Low torque requirements

# SER.61 Slurry Knife Gate Valve

VALVEPROS.COM | (216) 631-6200

## SPLASH GUARD (accessory)

- It handles any small fluid leakage when the valve is cycled.
- Flush water can run through enter and exit ports.



# SER.61 Slurry Knife Gate Valve

VALVEPROS.COM | (216) 631-6200

## ACTUATORS

- Hand wheel (gear is recommended for 8" and higher)
- Pneumatic actuator (up to 24")
- Hydraulic actuator
- Electric actuator (up to 36")

