



# 32-100 SERIES

## Regular Port Threaded Bronze Ball Valve

<b>Job Name:</b>	<b>Contractor:</b>
<b>Job Location:</b>	<b>P.O. Number:</b>
<b>Engineer:</b>	<b>Representative:</b>
<b>Tag:</b>	<b>Wholesale Distributor:</b>

### DESCRIPTION

The Apollo® 32-100 Series is an economy NPT threaded Regular Port Bronze Ball Valve featuring a proven ASTM grade cast bronze body for durability and superior corrosion resistance.

### FEATURES

- Adjustable Packing Gland
- Blow-Out Proof Stem Design
- PTFE Seats and RPTFE Stem Packing
- Chromium Plated Ball
- 100% Factory Tested

### PERFORMANCE RATING

- Maximum Pressure: 400 psi CWP, 125 psi SWP
- Maximum Temperature: 400°F
- Vacuum Service to 29 in. Hg

### OPTIONS

- (-07) Tee Handle
- (-27) Locking Handle
- (-49) Assembled Dry

### STANDARD MATERIALS LIST

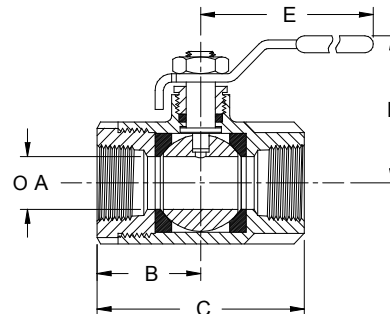
Part Name	Material
Lever and Grip	Steel, Zinc Plated w/ Vinyl
Stem Packing	RPTFE
Ball	B16, Chrome Plated
Seat (2)	PTFE
Retainer	B16
Gland Nut	B16
Stem	B16
Lever Screw (1/4" to 1/2")	Steel, Zinc Plated
Lever Nut (3/4" to 2")	Steel, Zinc Plated
Body	B584-C84400

### APPROVALS

- MSS SP-110; Ball Valves Threaded, Socket-Welding, Solder Joint, Grooved and Flared Ends
- CRN: OC10908.5



### DIMENSIONS



Model Number	Size (in.)	Dimensions				
		A	B	C	D	E
32-101	1/4"	0.37	0.80	1.60	1.65	2.87
32-102	3/8"	0.37	0.80	1.60	1.65	2.87
32-103	1/2"	0.40	1.00	2.00	1.68	2.87
32-104	3/4"	0.65	1.20	2.41	1.90	3.87
32-105	1"	0.75	1.55	3.09	2.18	4.87
32-106	1 1/4"	1.00	1.72	3.44	2.53	5.50
32-107	1 1/2"	1.12	1.93	3.87	2.69	5.50
32-108	2"	1.50	2.17	4.37	2.94	5.50