

STEAM TRAPS

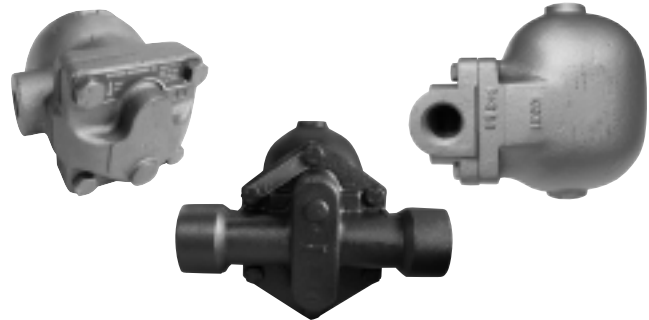
FTT Series

Float & Thermostatic Steam Trap

Watson McDaniel reserves the right to change the designs and/or materials of its products without notice.
©2004 Watson McDaniel Company

Revised 9/2004

| | |
|--------------------------------|-----------------------------|
| Model | FTT |
| Sizes | 1/2", 3/4", 1", 1 1/2", 2" |
| Connections | NPT |
| Body Material | Ductile Iron |
| PMO Max. Operating Pressure | 300 PSIG |
| TMO Max. Operating Temperature | Saturated Steam Temperature |
| PMA Max. Allowable Pressure | 300 PSIG up to 450°F |
| TMA Max. Allowable Temperature | 450°F @ 300 PSIG |



TYPICAL APPLICATIONS

DRIP, PROCESS: The FTT Series float and thermostatic steam traps are used in drip and process applications, industrial and HVAC process equipment. The excellent air handling capabilities of float and thermostatic traps make them a better choice than bucket traps for applications requiring quick system start-up. These traps have in-line pipe connections. Used on unit heaters, textile machines, heat exchangers, and other medium sized process equipment.

HOW IT WORKS

Float and thermostatic steam traps have a float and thermostatic element that work together to remove both condensate and air from the steam system. The float, which is attached to a valve, opens when condensate enters the trap. Air is discharged through the thermostatic air vent to the outlet side of the trap. The thermostatic air vent closes when steam enters the trap.

SAMPLE SPECIFICATION

The trap shall be of float and thermostatic design with ductile iron body and in-line piping configuration. Thermostatic air vent to be welded stainless steel. All internals must be stainless steel with hardened seat area. Trap must be in-line repairable.

INSTALLATION

The trap must be level and upright for the float mechanism to operate. Trap must be sized and located properly in the steam system.

MAINTENANCE

All internal components can be replaced with the trap body remaining in-line. Repair kits include thermostatic air vent, float, valve seat and disc, and gaskets. For full maintenance details see Installation and Maintenance Manual.

OPTIONS

Bimetallic air vent for superheated steam applications.

FEATURES

- Ductile Iron has a higher pressure and temperature rating and is more resistant to shock loads than cast iron
- All stainless steel internals with hardened seat and wear parts
- In-line repairable is simplified by having all internals attached to the cover
- Welded stainless steel thermostatic air vent resists shock from water hammer. Bimetallic air vent is available for superheated applications
- Excellent air handling capability allowing air to be discharged rapidly and steam to enter the system quickly during start-up.
- F & T traps discharge condensate immediately as it is formed (no condensate will back-up into the system)

CAPACITIES – Condensate (lbs/hr)

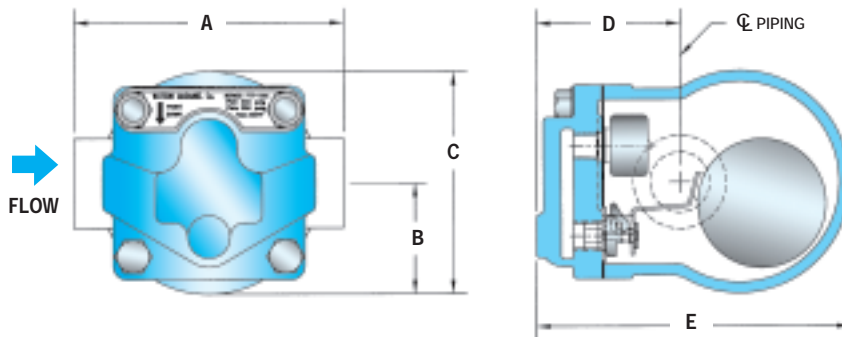
| Model | PMO PSIG | Pipe Size | Differential Pressure (PSI) | | | | | | | | | | | | | | | | | | | | |
|---------|----------|------------|-----------------------------|------|------|-------|-------|-------|-------|-------|-------|-------|-------|-------|-------|-------|-------|-------|-------|-------|-------|------|--|
| | | | 1/4 | 1/2 | 1 | 2 | 5 | 10 | 15 | 20 | 30 | 40 | 50 | 65 | 75 | 100 | 125 | 145 | 200 | 225 | 250 | 300 | |
| FTT-65 | 65 | 1/2", 3/4" | 115 | 155 | 205 | 270 | 390 | 520 | 610 | 685 | 810 | 910 | 995 | 1110 | | | | | | | | | |
| FTT-65 | 65 | 1" | 340 | 500 | 775 | 1100 | 1700 | 2400 | 2800 | 3250 | 3925 | 4200 | 5000 | 5825 | | | | | | | | | |
| FTT-65 | 65 | 1 1/2" | 1150 | 1650 | 2500 | 3450 | 5300 | 7500 | 8180 | 10600 | 13100 | 15000 | 16800 | 18900 | | | | | | | | | |
| FTT-65 | 65 | 2" | 3470 | 4820 | 8500 | 11950 | 18700 | 25200 | 26900 | 36000 | 43000 | 49600 | 55500 | 61300 | | | | | | | | | |
| FTT-145 | 145 | 1/2", 3/4" | 55 | 75 | 100 | 135 | 200 | 270 | 320 | 365 | 435 | 490 | 540 | 600 | 640 | 725 | 795 | 850 | | | | | |
| FTT-145 | 145 | 1" | 190 | 275 | 405 | 550 | 840 | 1200 | 1380 | 1600 | 1850 | 2200 | 2450 | 2750 | 2920 | 3400 | 3700 | 3900 | | | | | |
| FTT-145 | 145 | 1 1/2" | 685 | 970 | 1275 | 1750 | 2740 | 3750 | 5490 | 5100 | 6250 | 7200 | 8000 | 8900 | 9600 | 11250 | 12000 | 13300 | | | | | |
| FTT-145 | 145 | 2" | 1860 | 2680 | 3125 | 4400 | 6900 | 9250 | 13790 | 14600 | 16900 | 19400 | 21900 | 25000 | 26800 | 31000 | 34000 | 37000 | | | | | |
| FTT-225 | 225 | 1/2", 3/4" | 40 | 50 | 70 | 95 | 135 | 185 | 220 | 245 | 290 | 330 | 360 | 405 | 430 | 485 | 530 | 565 | 645 | 680 | | | |
| FTT-225 | 225 | 1" | 150 | 200 | 300 | 405 | 600 | 820 | 975 | 1130 | 1375 | 1510 | 1620 | 1875 | 2000 | 2350 | 2600 | 2750 | 3100 | 3250 | | | |
| FTT-250 | 250 | 1 1/2" | 530 | 710 | 825 | 1130 | 1760 | 2500 | 2950 | 3375 | 4125 | 4740 | 5250 | 6000 | 6400 | 7300 | 8000 | 8650 | 10200 | 10800 | 11300 | | |
| FTT-250 | 250 | 2" | 695 | 985 | 1560 | 2185 | 3490 | 4800 | 5800 | 6750 | 8250 | 9500 | 10650 | 12400 | 13300 | 15000 | 16600 | 18120 | 21200 | 22300 | 23200 | | |
| FTT-300 | 300 | 1" | 100 | 155 | 220 | 300 | 460 | 630 | 750 | 860 | 1060 | 1240 | 1360 | 1450 | 1600 | 1820 | 2000 | 2130 | 2500 | 2650 | 2800 | 3000 | |

FTT Series

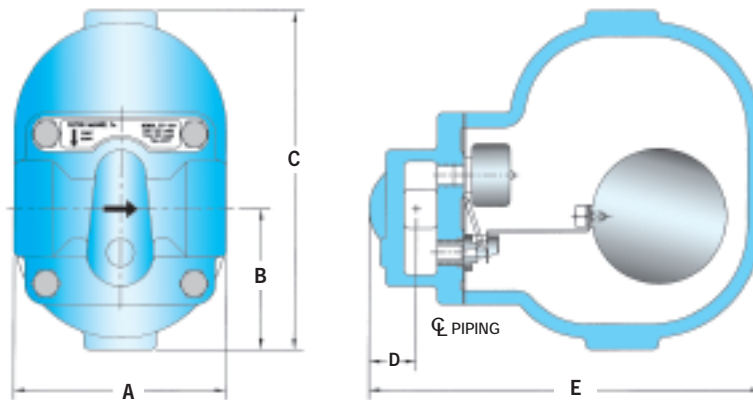
Float & Thermostatic Steam Trap

Revised 9/2004

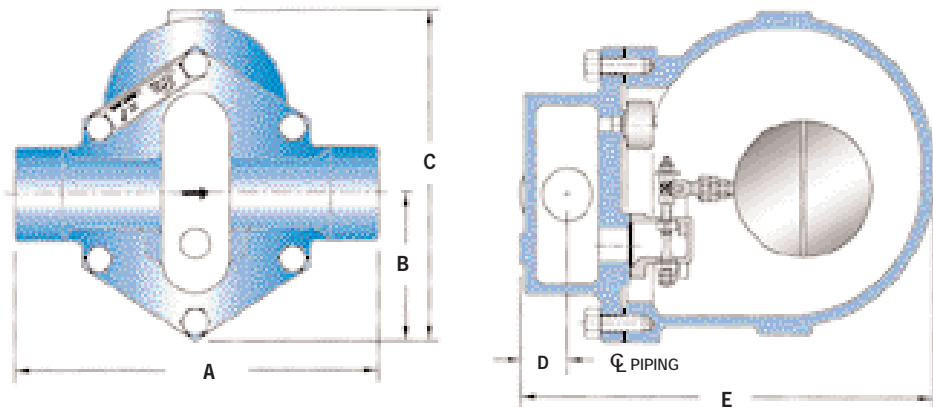
FTT
1/2" & 3/4"



FTT
1"



FTT
1 1/2" & 2"



DIMENSIONS & WEIGHTS – inches/pounds

| Size | A | B | C | D | E | Weight |
|------------|------|-----|-----|-----|-----|--------|
| 1/2", 3/4" | 4.8 | 1.9 | 3.9 | 2.5 | 5.5 | 6 |
| 1" | 4.8 | 3.1 | 7.5 | 1.1 | 8.8 | 16 |
| 1 1/2" | 10.6 | 4.3 | 9.6 | 1.4 | 12 | 40 |
| 2" | 11.9 | 4.3 | 9.6 | 1.4 | 12 | 40 |

HOW TO ORDER

Specify model, pipe size and maximum working pressure. Choose a pressure that is greater than the maximum the trap will see in service. See capacity chart.

MATERIALS

| | |
|--------------|----------------------------|
| Body & Cover | Ductile Iron |
| Gasket | Garlock 3400 |
| Cover Screws | Stainless Steel, GR5 |
| Float | Stainless Steel, AISI 304 |
| Internals | Stainless Steel |
| Thermostat | Stainless Steel |
| Valve Seat | Stainless Steel, 17-4 PH |
| Valve Disc | Stainless Steel, AISI 420F |